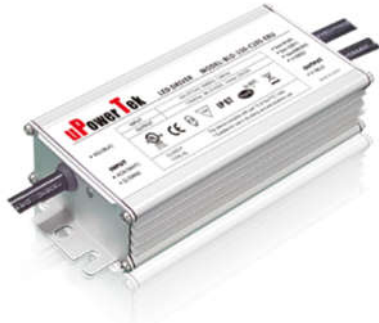


## 240W, 200-480Vac Input, Isolated Dimming LED Driver

### Product Datasheet



The global certified TLD-240-C is a dual stage extremely wide input smart LED driver. 10kV surge protection level, 100khour long life and 7-year warranty provide high confidence to luminaire users. It supports not only traditional 4-in-1 control, but also DALI2.0 and other protocols. NFC and cable programming are both available for users. All around protections including digital OTP (internal and external by NTC) with auto-recovery secure 24hour non-stop operation for luminaires.

- Road
- High-bay
- Horticultural
- Stadium
- Flood



- Features ..... 2
- Model List ..... 2
- Technical Data ..... 3
- Safety/EMC Compliance ..... 4
- Dimming..... 4
- Programming..... 错误!未定义书签。
- Lifetime vs. Case Temperature..... 8
- Power Factor vs. Load..... 8
- THD vs. Load..... 9
- Efficiency vs. Load (2.1A Model) ..... 9
- Inrush Current ..... 10
- Dielectric Strength..... 错误!未定义书签。
- Tc Point ..... 错误!未定义书签。
- Packaging Information..... 错误!未定义书签。
- Mechanical Design ..... 错误!未定义书签。
- Appendix – Operation Range ..... 10
- Revision History..... 19

### 240W, 200-480Vac Input, Isolated Dimming LED Driver

#### ■ Features

- Supply Voltage: 180-528Vac or 250-740Vdc
- Great Surge Immunity 10kV
- -60°C Cold Ambient Startup (Optional)
- 100,000Hour Life @ Tc=75°C
- 7 Year Warranty @ Tc<=75°C
- Airset™ NFC Programmability
- +/-2% Output Current Accuracy
- Isolated 0-10V/PWM/Time/DALI2.0 (Optional) Dimmable
- Dim Off with 1.5W Standby Power
- 12V 300mA Auxiliary Power to Power Controllers and Fans (Optional)
- UL Class P, ENEC/CB/CCC SELV Output
- Global Certified Model Available
- Safety according to EN 61347-1, 61347-2-3, 61347-2-13, 62384

#### ■ Model List

Model Number	Input Voltage Range	Output Power	Output Voltage	Full Power Settable Current Min	Full Power Settable Current Max	Certification
TLD-240-C140-XYZ	180-528Vac	250 W	107-238Vdc	1050mA	1400mA	UL/FCC/ENEC/CCC /CB/RCM/ EAC/CE
TLD-240-C210-XYZ	180-528Vac	250 W	71-179Vdc	1400mA	2100mA	
TLD-240-C420-XYZ	180-528Vac	250 W	36-89Vdc	2800mA	4200mA	
TLD-240-C690-XYZ	180-528Vac	250 W	22-56Vdc	4500mA	6900mA	
XY=	Dimming Method	Programmable	12Vaux			Dim-off
NN	-	-	-	-	-	-
DN	0-10V	Cable	-	-	<b>No Dim-off as default status, programmed to have Dim-off</b>	
EN	0-10V	Cable	300mA			√
TR	Time/Set Current	NFC Wireless	-	-		-
DR	0-10V	NFC Wireless	-	-	<b>No Dim-off as default status, programmed to have Dim-off</b>	
ER	0-10V/PWM/Time	NFC Wireless	300mA			√
AR	DALI2.0	NFC Wireless	-	-		√

Z = U, UL cable with ground wire (green)    S, VDE cable/Class I    D, VDE cable/Class II

**Note:** See the **Output Operation Range Section** for programmable model details

**240W, 200-480Vac Input, Isolated Dimming LED Driver**
**■ Technical Data**

Input Voltage	180-528Vac or 250-740Vdc
Input Frequency	47~63Hz
Power Factor	>0.9@60-100%load, refer to PF vs. Load curve
THD	<15%@60-100%load, refer to THD vs. Load curve
Input Current	1.1Amax@277Vac & Full-Load, 0.65Amax@480Vac & Full-Load
Inrush Current	See Inrush Current Section in the datasheet
Leakage Current	1mA max @480Vac 60Hz, UL8750,0.75mAmax @220Vac 50Hz, IEC61347-1
Input Under Voltage	Shut down and auto-restart
Surge Protection	Line to line 6kV, line to ground 10kV, IEC 61000-4-5
Current Accuracy	±2%Io for programmable model, ±5%Io for non-programmable model
Ripple Current	Ip-p:5%Io max
Setup Time	1.2s max
Overshoot	10% Io max & LED Load
Output Over Voltage	120% Vomax, typ.
Short Circuit	Auto recovery. The output recovers when short is removed.
Over Temperature	Lower the output current when $T_c \geq 105 \pm 10^\circ\text{C}$ ; Auto Recovery When $T_c \leq 70 \pm 10^\circ\text{C}$
Auxiliary Power (Vaux)	12V+/-5%, 300mA max
Operating Temperature	Case Temperature $T_c = -40^\circ\text{C} \sim +90^\circ\text{C}$ ; 10%RH~100%RH
Storage Temperature	-40°C~+85°C; 5%RH~100%RH
MTBF	≥280,000 hours, 75°C case temperature (MIL-HDBK-217F)
Lifetime	≥100,000 hours, 75°C case temperature, refer to life vs. Tc curve
Case Temperature	90°C max, marked in the Tc point of label
Dimensions	8.85x2.68x1.31 by inch (body), 9.88x2.68x1.31 by inch (endcaps included) 225 x 68 x 33.5 by mm (body), 251 x 68 x 33.5 by mm (endcaps included)
Net Weight	1100g
Packing	See Package Information Section in the datasheet

Notes: Unless specified, all the test results are measured in 25°C room temperature.

**240W, 200-480Vac Input, Isolated Dimming LED Driver**
**Safety/EMC Compliance**

Safety Standard	Description
UL8750	Light emitting diode(LED) equipment for use in lighting products
UL1012	Power units other than class 2
IEC 61347-1	Lamp control gear Part 1: general and safety requirements
IEC 61347-2-13	Lamp control gear Part 2-13: particular requirement for d.c. or a.c. supplied electronic control gear for LED modules
EMI Standards	Description
IEC 55015	Conducted emission test & radiated emission test
IEC 61000-3-2	Harmonic current emissions; Class C
IEC 61000-3-3	Voltage fluctuations & flicker
FCC Part 15	ANSI C63.4:2009 Class B
EMS Standards	Description
IEC 61000-4-2	Electrostatic discharge (ESD): 8 kV air discharge, 4 kV contact discharge
IEC 61000-4-3	Radio frequency electromagnetic field susceptibility test (RS)
IEC 61000-4-4	Electrical fast transient (EFT)
IEC 61000-4-5	Surge immunity test
IEC 61000-4-6	Conducted radio frequency disturbances test (CS)
IEC 61000-4-8	Power frequency magnetic field test
IEC 61000-4-11	Voltage dips
IEC 61547	Electromagnetic immunity requirements applies to lighting equipment

**Dimming**

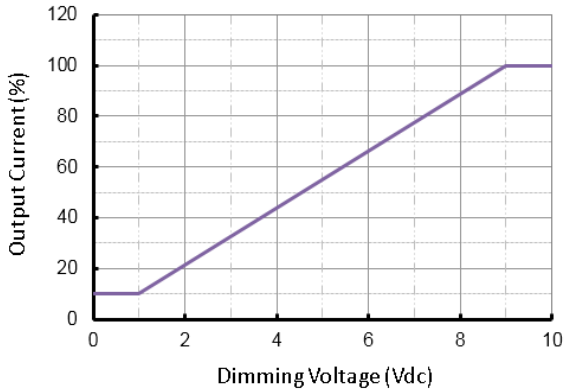
Parameter	Min.	Typ.	Max.
Vdim Sourcing Current	100uA	150uA	200uA
Vdim Allowed Input Voltage	-20 V		20 V
0-10V Dimming Range	10% (Vdim=1V)	Linear	100% (Vdim=9~10V)
PWM Dimming Range	10% (Duty=10%)	Linear	100% (Duty=90-100%)
Dim off threshold	0.4V or 4%	0.5V or 5%	0.6V or 6%
Dim on threshold	0.6V or 6%	0.7V or 7%	0.8V or 8%
PWM High	3.8V		10V
PWM Low	0V		0.6V
PWM Frequency	300Hz		2kHz
External PWM Controller Current Sinking Capability	300uA		
DALI Interface Standard	IEC62386, part 101,102,207		
DA1,DA2 High Level	9.5	16	22.5
DA1,DA2 Low Level	-6.5	0	6.5
DA1,DA2 Current	0		2mA

## 240W, 200-480Vac Input, Isolated Dimming LED Driver

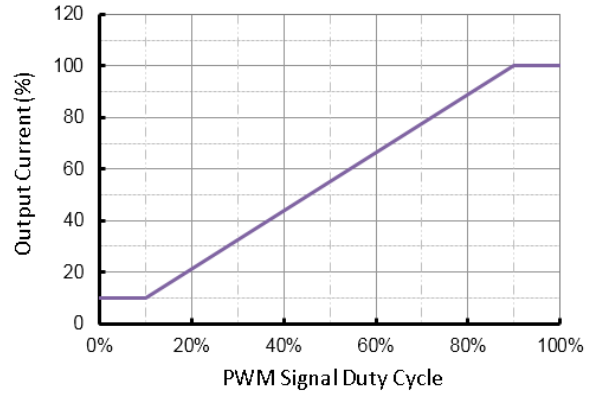
### - Dimming Curve

#### a. Without dim-off

0-10V Dimming Curve

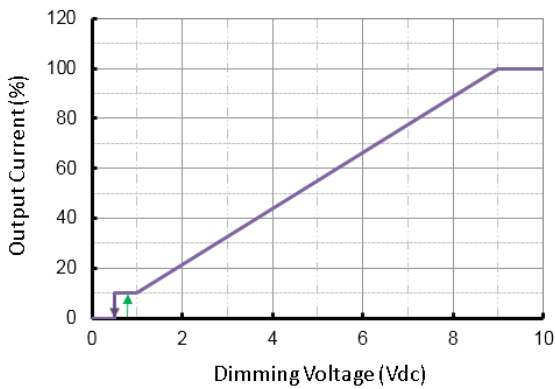


PWM Dimming Curve

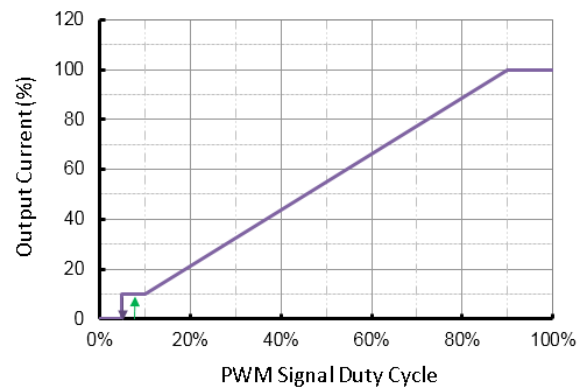


#### b. With dim-off

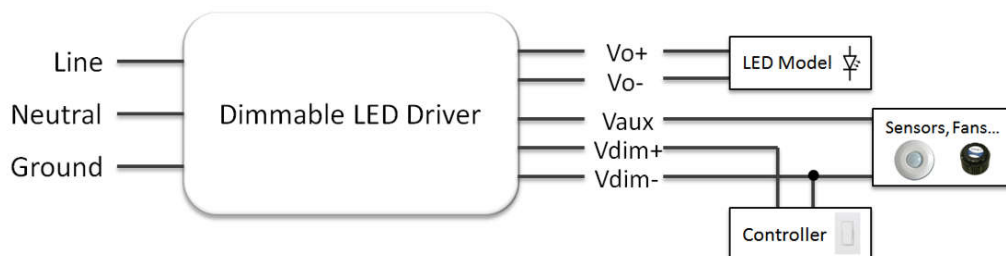
0-10V Dimming Curve



PWM Dimming Curve



### - Dimming Wiring

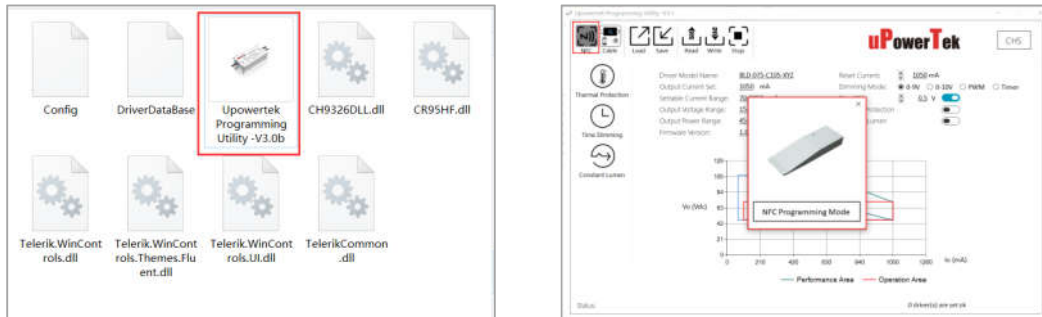


## ■ Programming

### - NFC Programming by PC/Laptop



- Download PC Software at <https://www.upowertek.com/download-2/>
- Click Upowertek Programming Utility.exe
- The GUI start and notify you the programming mode (cable programming or NFC programming)
- Click “NFC” button if it’s not NFC programming mode.



### - NFC Programming by Smartphone

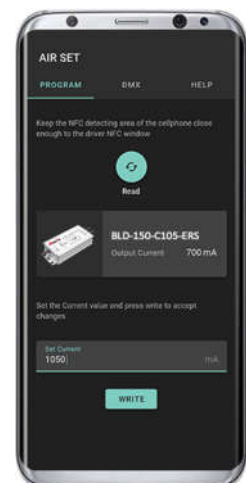
- Download Android APP at <https://www.upowertek.com/download-2/>
- Only available on Android cellphone (iPhone is not supported)
- The cellphone should have NFC function and make sure it is enabled.



- Turn on NFC switch of cellphone, then open the APP by icon below.



uPowerTek  
Airset

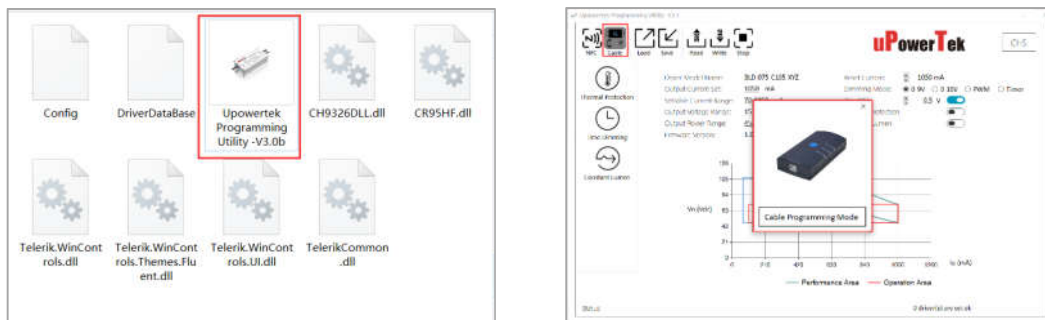


## 240W, 200-480Vac Input, Isolated Dimming LED Driver

### - Cable Programming



- Download PC Software at <https://www.upowertek.com/download-2/>
- Click Upowertek Programming Utility.exe
- The GUI start and notify you the programming mode (cable programming or NFC programming)

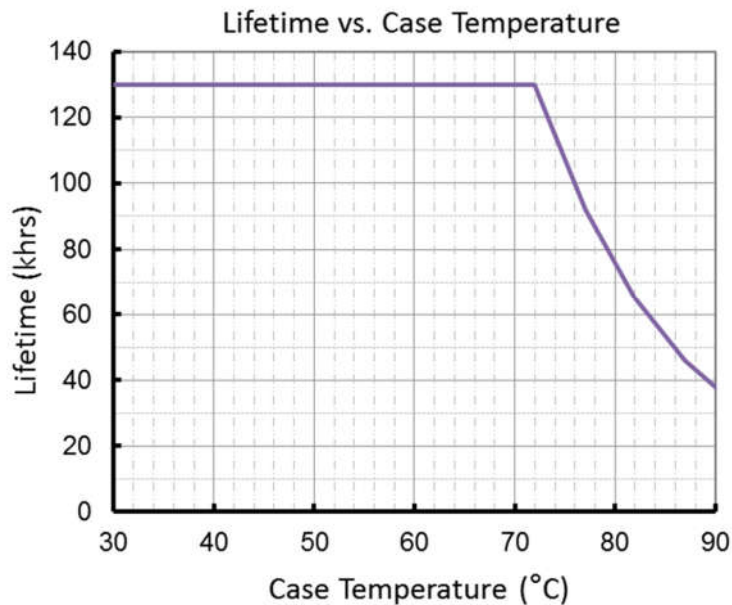


- Click "Cable" button if it's not cable programming mode.
- Connect the Vdim+ and Vdim- wires to the right ones (the same color) of the programmer.

### - Please contact with us for product user manual and more information such as:

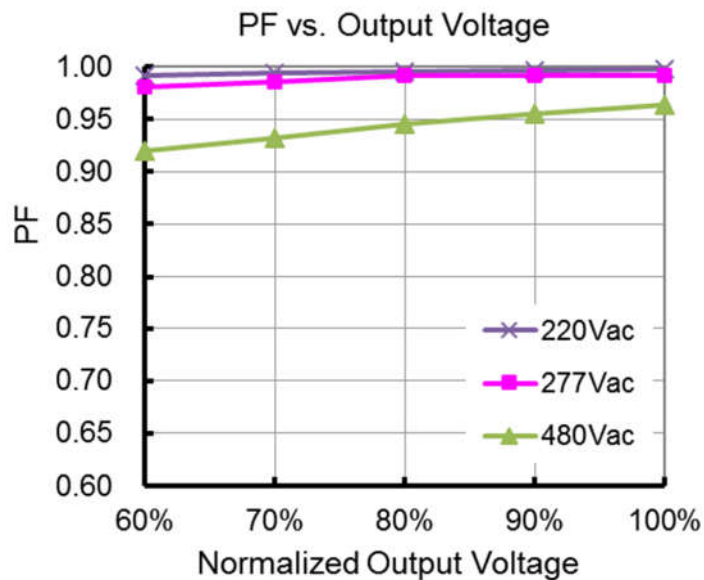
- Output Lumen Compensation
- Luminaire Thermal Protection by External NTC (with extra cable)
- Dimming Curve Customization (dim off threshold, minimum dimming level, maximum dimming voltage etc.)
- Adjustable Startup Time
- Time Dimming (adaptive mid-night, percentage, etc.)
- Customized Control Protocol

## ■ Lifetime vs. Case Temperature



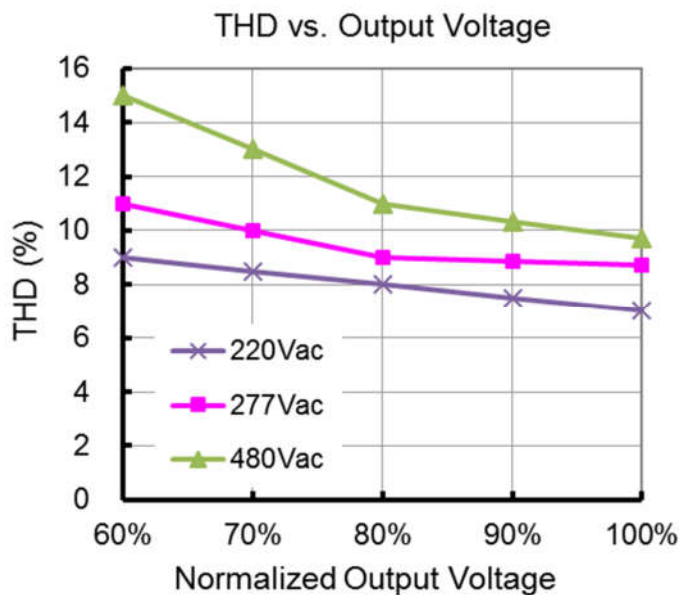
(End of Life: Maximum Failure Rate=10%)

## ■ Power Factor vs. Load

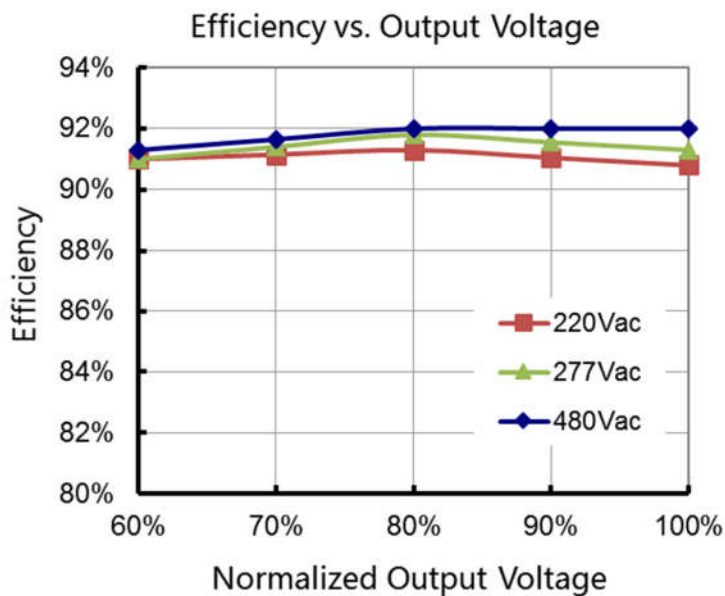




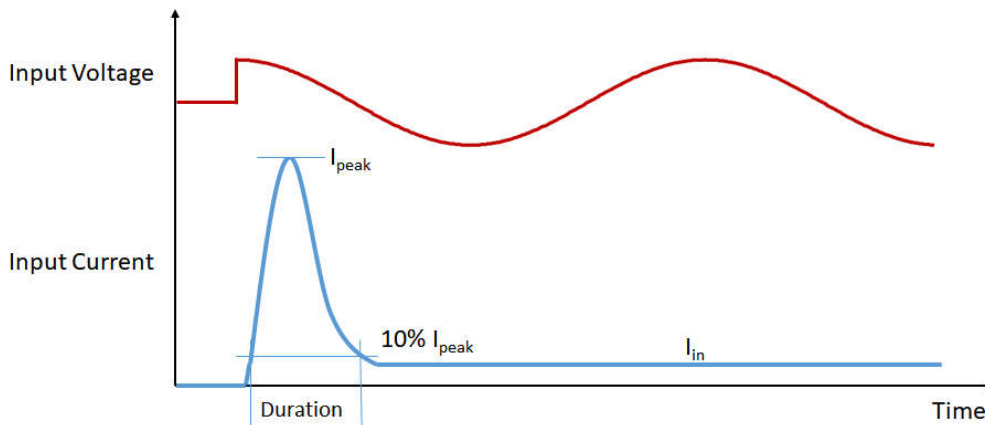
## THD vs. Load



## Efficiency vs. Load (2.1A Model)



## Inrush Current



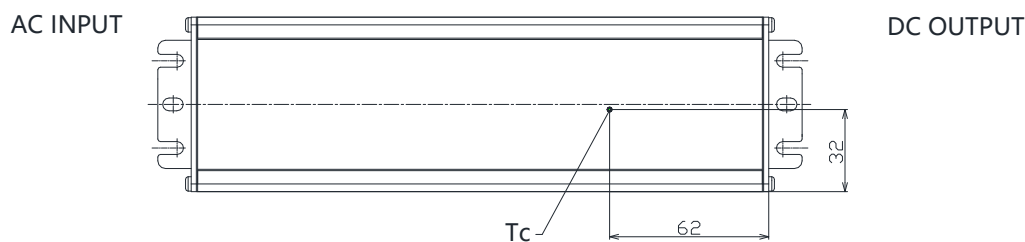
Input Voltage	$I_{peak}$	Duration
277Vac	82.8A	492us
380Vac	100.4A	376us
480Vac	120.4A	356us

Please contact with us for MCB calculation and waveforms.

## Dielectric Strength

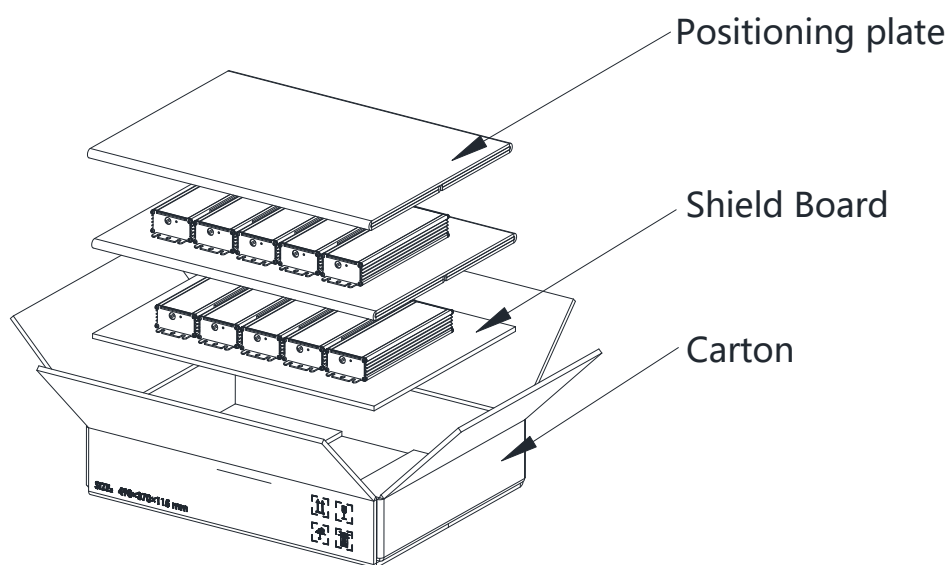
Unit: Vac	Input	Output	Dimming	Case
Input	-	3920	3920	1960
Output	3920	-	1960	1960
Dimming	3920	1960	-	1960
Case	1960	1960	1960	-

## Tc Point



## ■ Packaging Information

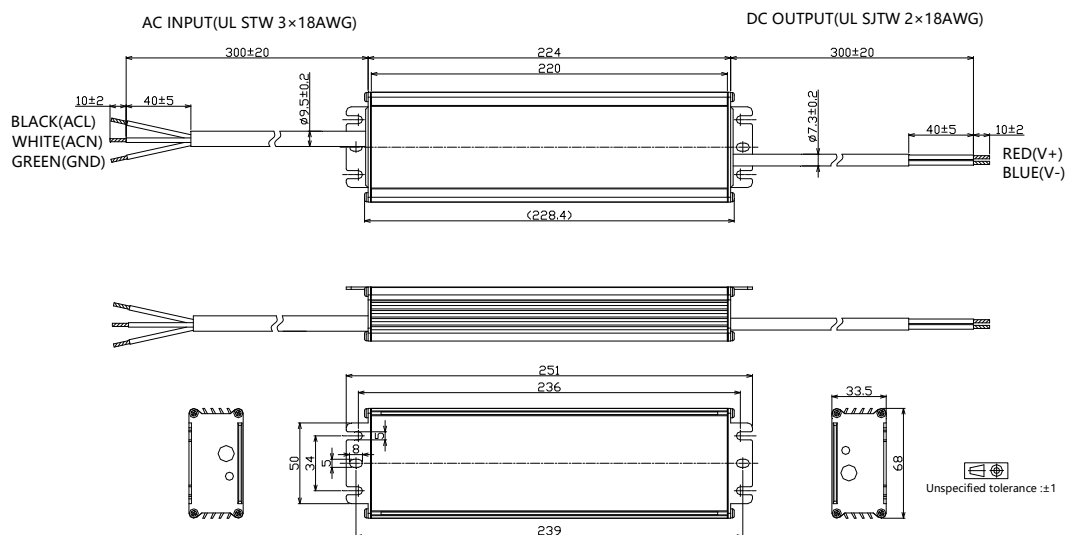
Typical Carton Dimension(L×W×H)	490×370×115 mm
Positioning plate	2pcs/carton
Shield Board	1pcs/carton
LED Drivers	10pcs/carton



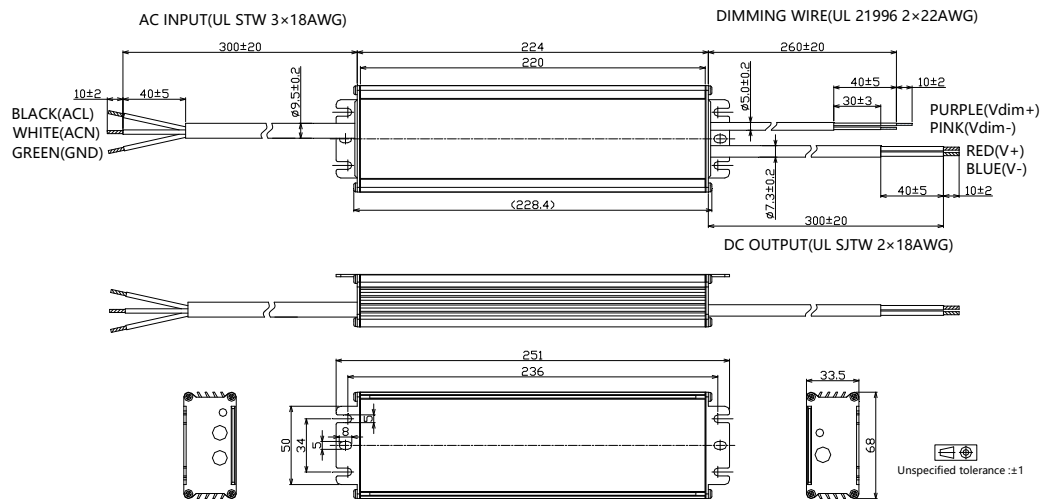
## 240W, 200-480Vac Input, Isolated Dimming LED Driver

### Mechanical Design

#### TLD-240-Cxxx-NN/TRU (UL Cable)

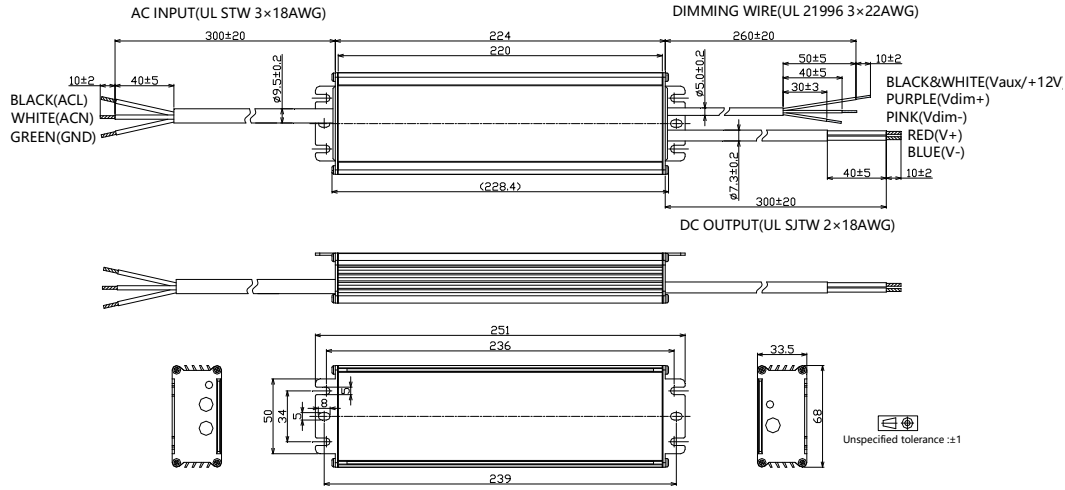


#### TLD-240-Cxxx-DN/DRU (UL Cable)

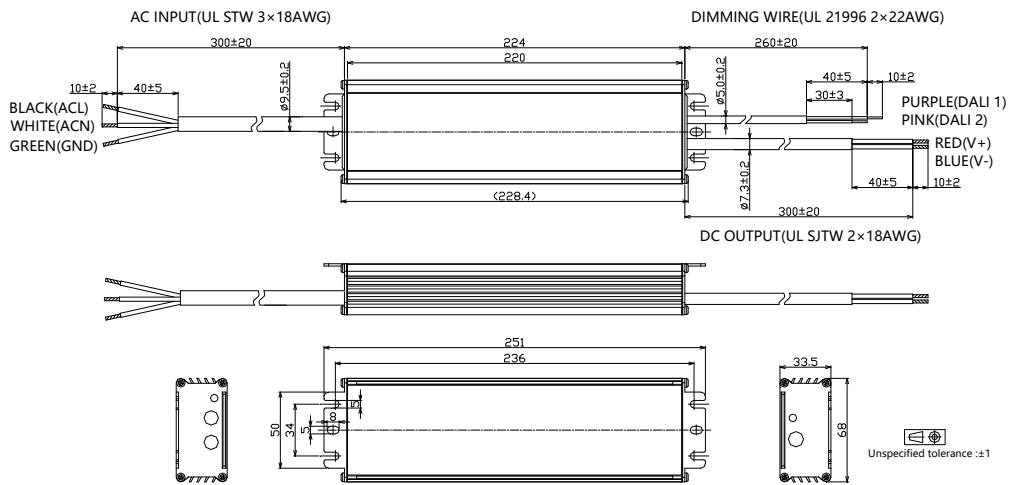


## 240W, 200-480Vac Input, Isolated Dimming LED Driver

### - TLD-240-Cxxx-ER/ENU (UL Cable)

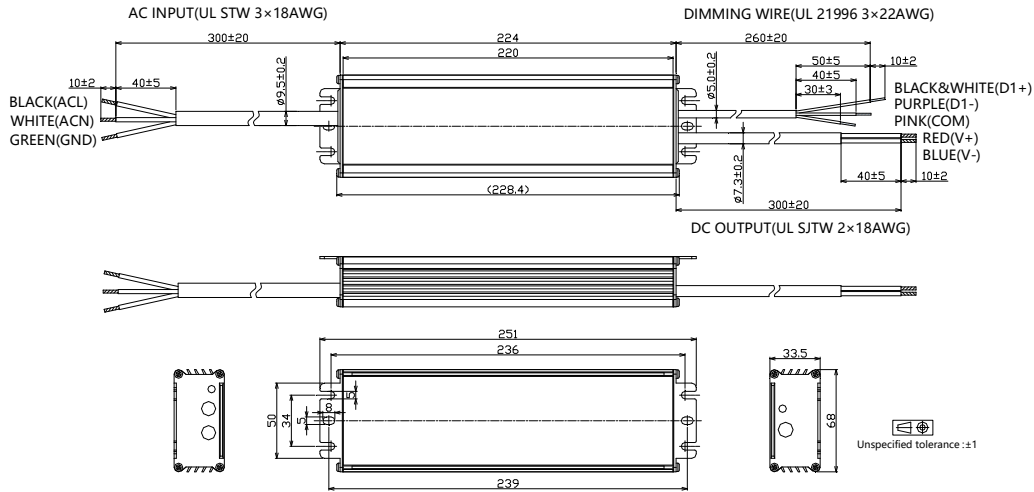


### - TLD-240-Cxxx-ARU (UL Cable)

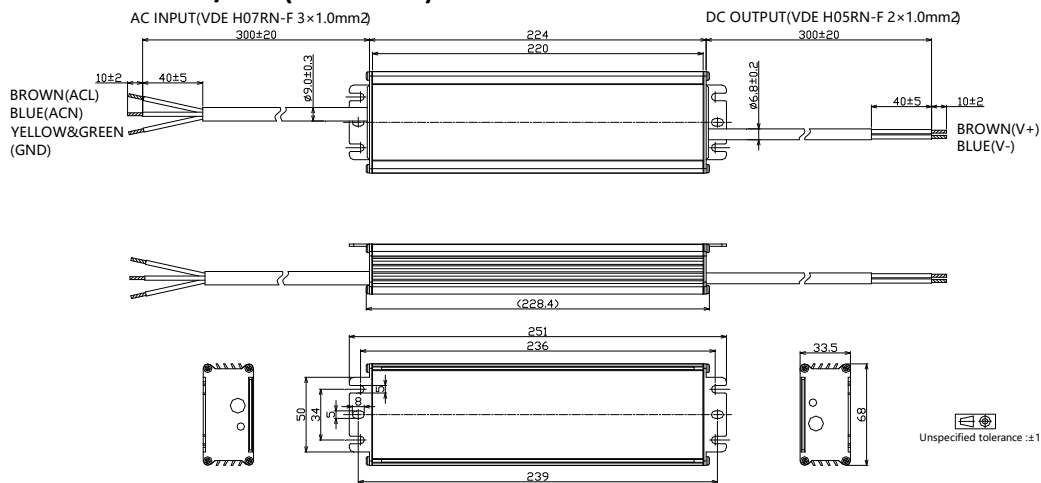


240W, 200-480Vac Input, Isolated Dimming LED Driver

- TLD-240-Cxxx-MRU (UL Cable)

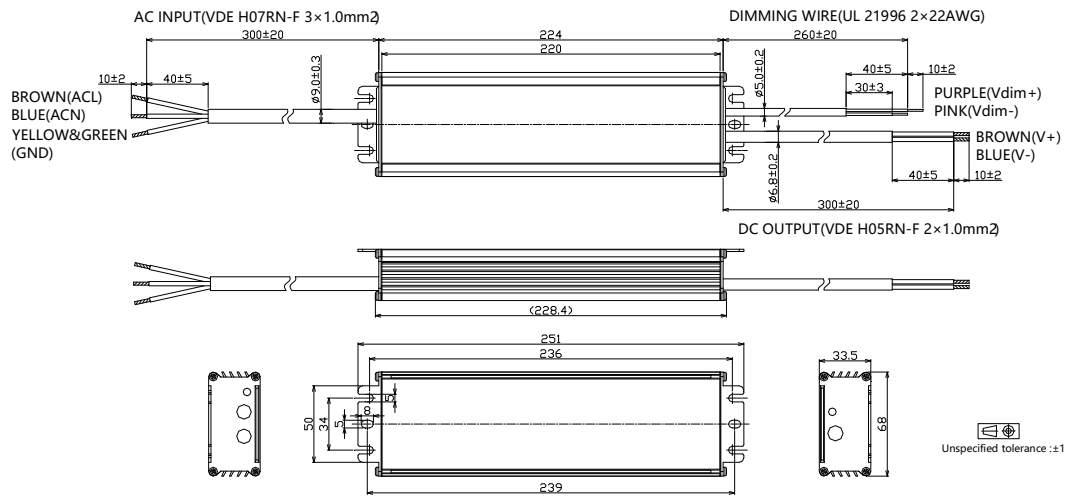


- TLD-240-Cxxx-NN/TRS (VDE Cable)

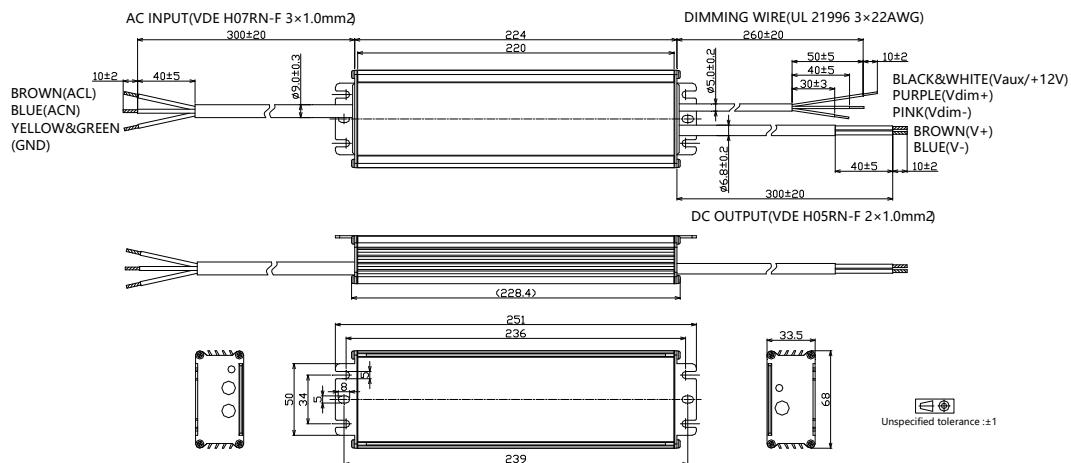


## 240W, 200-480Vac Input, Isolated Dimming LED Driver

### - TLD-240-Cxxx-DN/DRS (VDE Cable)

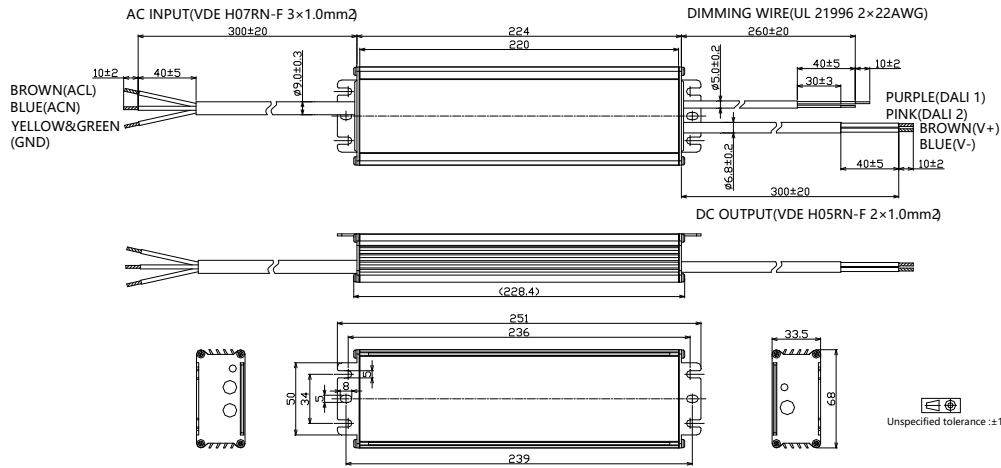


### - TLD-240-Cxxx-EN/ERS (VDE Cable)

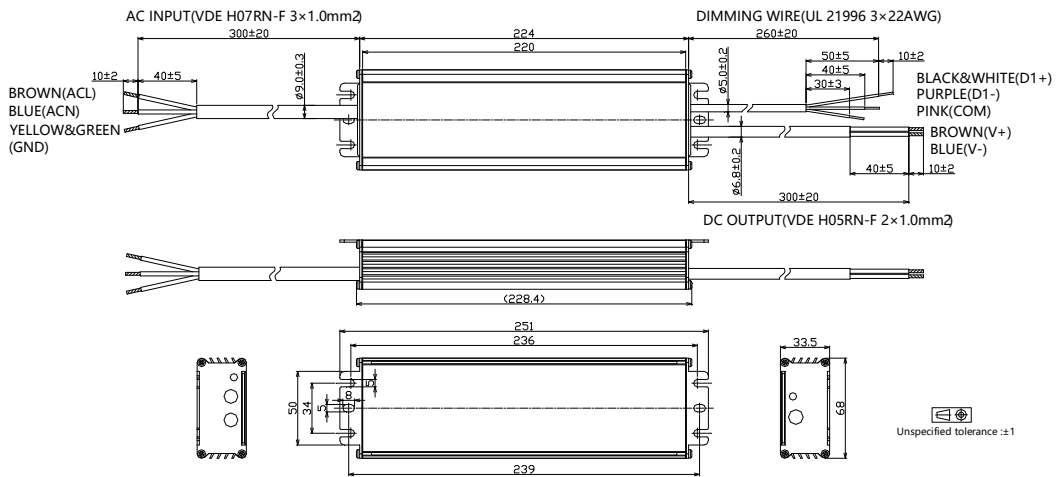


## 240W, 200-480Vac Input, Isolated Dimming LED Driver

### - TLD-240-Cxxx-ARS (VDE Cable)



### - TLD-240-Cxxx-MRS (VDE Cable)





## 240W, 200-480Vac Input, Isolated Dimming LED Driver

### ■ Output Operation Range

Model	Typical Set Output Current (mA)	Max Output Power (W)	Output Voltage Min (V)	Output Voltage Max(V)	Minimum Dimming Current (mA)
-C140	1400	250	107	179	140
	1300	250	115	192	130
	1200	250	125	208	120
	1100	250	136	227	110
	1050	250	143	238	105
	1000	238	143	238	105
	950	226	143	238	105
	900	214	143	238	105
	850	202	143	238	105
	800	190	143	238	105
	750	179	143	238	105
	700	167	143	238	105
	...	...	...	...	...
	105	25	143	238	105

Model	Typical Set Output Current (mA)	Max Output Power (W)	Output Voltage Min (V)	Output Voltage Max(V)	Minimum Dimming Current (mA)
-C210	2100	250	71	119	210
	2000	250	75	125	200
	1900	250	79	132	190
	1800	250	83	139	180
	1700	250	88	147	170
	1600	250	94	156	160
	1500	250	100	167	150
	1400	250	107	179	140
	1300	232	107	179	140
	1200	214	107	179	140
	1100	196	107	179	140
	1000	179	107	179	140
	...	...	...	...	...
	140	25	107	179	140

**240W, 200-480Vac Input, Isolated Dimming LED Driver**

Model	Typical Set Output Current (mA)	Max Output Power (W)	Output Voltage Min (V)	Output Voltage Max(V)	Minimum Dimming Current (mA)
-C420	4200	250	36	60	420
	4100	250	37	61	410
	4000	250	38	63	400
	3900	250	38	64	390
	3800	250	39	66	380
	3700	250	41	68	370
	3600	250	42	69	360
	3500	250	43	71	350
	3400	250	44	74	340
	3300	250	45	76	330
	3200	250	47	78	320
	3100	250	48	81	310
	3000	250	50	83	300
	2900	250	52	86	290
	2800	250	54	89	280
	2700	241	54	89	280
	2600	232	54	89	280
	...	...	...	...	...
	280	25	54	89	280

Model	Typical Set Output Current (mA)	Max Output Power (W)	Output Voltage Min (V)	Output Voltage Max(V)	Minimum Dimming Current (mA)
-C690	6900	250	22	36	690
	6800	250	22	37	680
	6600	250	23	38	660
	6400	250	23	39	640
	6200	250	24	40	620
	6000	250	25	42	600
	5800	250	26	43	580
	5600	250	27	45	560
	5400	250	28	46	540
	5200	250	29	48	520
	5000	250	30	50	500
	4800	250	31	52	480
	4500	250	33	56	450
	...	...	...	...	...
	450	25	33	56	450

**■ Revision History**

Revision	Date	Contents
C	2022-03-22	<ol style="list-style-type: none"><li>1. Index page added</li><li>2. Reduced dimming interface sourcing current</li><li>3. DALI 2.0 compatibility added</li><li>4. Programming instruction added</li><li>5. Inrush current data added</li><li>6. Tc point position indication added</li><li>7. Dielectric strength level added</li><li>8. Packaging information added</li><li>9. Mechanical design change with dimming cable color</li><li>10. Revision history added</li></ol>