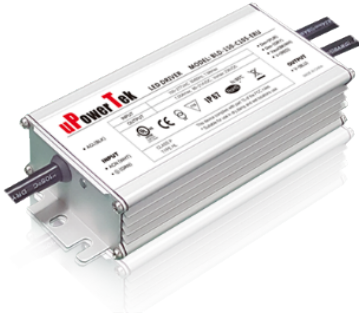


Product Datasheet



The global certified BLD-150-C is a dual stage high efficiency smart LED driver. 10kV surge protection level, 100khour long life and 7-year warranty provide high confidence to luminaire users. It supports not only traditional 4-in-1 control, but also DALI2.0 and other smart protocols. NFC and cable programming are both available for users. All around protections including digital OTP (internal and external by NTC) with auto-recovery secure 24hour non-stop operation for luminaires.

- Street
- Flood
- Tunnel
- Shoe box
- Architectural



- Features2
- Model List2
- Technical Data2
- Safety/EMC Compliance4
- Dimming4
- Programming6
- Lifetime vs. Case Temperature8
- Power Factor vs. Load8
- THD vs. Load9
- Efficiency vs. Load (1.05A Model)9
- Inrush Current10
- Dielectric Strength10
- Tc Point10
- Packaging Information11
- Mechanical Design12
- Output Operation Range17
- Revision History19

150W, Isolated Dimming, NFC Programmable LED Driver

■ Features

- Supply Voltage: 90-305Vac or 127-420Vdc, 380Vac for 2 hours
- Great Surge Immunity 10kV
- -60DegC Cold Ambient Startup (Optional)
- 100,000Hour Life @ Tc=75°C & 7 Year Warranty @ Tc<=75°C
- +/-2% Output Current Accuracy (Programmable Model)
- Airset™ NFC Programmability
- Isolated 0-10V/PWM/Time/DALI2.0/DMX/RDM Dimmable
- Dim Off with 0.5W Standby Power
- 12V 300mA Auxiliary Power to Power Controllers and Fans
- Class II Model Available
- UL Class P, Class 2
- ENEC/CB/CCC SELV Output
- Global Certified Model Available

■ Model List

Model Number	Input Voltage Range	Output Power	Output Voltage	Full Power Settable Current Min	Full Power Settable Current Max	Certification
BLD-150-C105-XYZ	90 ~ 305 Vac	150 W	86-214Vdc	700mA	1050mA	UL/FCC/CB/ENEC/RCM/EAC/CCC/PSE
BLD-150-C140-XYZ	90 ~ 305 Vac	150 W	64-143Vdc	1050mA	1400mA	
BLD-150-C210-XYZ	90 ~ 305 Vac	150 W	43-107Vdc	1400mA	2100mA	
BLD-150-C380-XYZ	90 ~ 305 Vac	150 W	24-58Vdc	2600mA	3800mA	
BLD-150-C630-XYZ	90 ~ 305 Vac	150 W	14-38Vdc	4000mA	6300mA	

XY=	Dimming Method	Programmable	12Vaux	Dim-off
NN	-	-	-	-
DN	0-10V	Cable	-	No Dim-off as default status, programmed to have Dim-off
EN	0-10V	Cable	300mA	√
TR	Time/Set Current	NFC Wireless	-	-
DR	0-10V	NFC Wireless	-	No Dim-off as default status, programmed to have Dim-off
ER	0-10V/PWM/Time	NFC Wireless	300mA	√
AR	DALI2.0	NFC Wireless	-	√
MR	DMX512 or RDM	NFC Wireless	-	√

Z = U, UL cable with ground wire (green) S, VDE cable/Class I D, VDE cable/Class II

Note: See the **Output Operation Range Section** for programmable model details

150W, Isolated Dimming, NFC Programmable LED Driver
■ Technical Data

Input Voltage	90~305Vac or 127V-420Vdc, 380Vac for 2 hours
Input Frequency	47~63Hz
Power Factor	>0.9@60-100%load, refer to PF vs. Load curve
THD	<15%@60-100%load, refer to THD vs. Load curve
Input Current	1.4Amax@120Vac & Full-Load, 0.75Amax@220Vac & Full-Load
Inrush Current	See Inrush Current Section in the datasheet
Leakage Current	1mA max @277Vac 60Hz, UL8750,0.75mAmax @220Vac 50Hz, IEC61347-1
Input Under Voltage	Shut down and auto-restart
Input Over Voltage	*Optional: Shutdown @320Vac
Surge Protection	Line to line 6kV, line to ground 10kV, IEC 61000-4-5
Current Accuracy	±2%Io for programmable model, ±5%Io for non-programmable model
Ripple Current	Ip-p:5%Io max
Setup Time	1.2s max
Overshoot	10% Io max & LED Load
Output Over Voltage	120% Vomax, typ.
Short Circuit	Auto recovery. The output recovers when short is removed.
Over Temperature	Lower the output current when $T_c \geq 105 \pm 10^\circ\text{C}$; Auto Recovery When $T_c \leq 70 \pm 10^\circ\text{C}$
Auxiliary Power (Vaux)	12V+/-5%, 300mA max
Operating Temperature	Case Temperature $T_c = -40^\circ\text{C} \sim +90^\circ\text{C}$; 10%RH~100%RH
Storage Temperature	-40°C~+85°C; 5%RH~100%RH
MTBF	≥320,000 hours, 75°C case temperature (MIL-HDBK-217F)
Lifetime	≥100,000 hours, 75°C case temperature, refer to life vs. Tc curve
Case Temperature	90°C max, marked in the Tc point of label
Dimensions	6.34x2.66x1.32 by inch (body), 7.40x2.66x1.32 by inch (endcaps included) 161.0x67.5x33.5 by mm (body), 188.0x67.5x33.5 by mm (endcaps included)
Net Weight	800g
Packing	See Package Information Section in the datasheet

Notes: Unless specified, all the test results are measured in 25°C room temperature.

* marked items are optional and contact with sales people to get the functions.

150W, Isolated Dimming, NFC Programmable LED Driver
Safety/EMC Compliance

Safety Standard	Description
UL8750	Light emitting diode(LED) equipment for use in lighting products
UL1012	Power units other than class 2
IEC 61347-1	Lamp control gear Part 1: general and safety requirements
IEC 61347-2-13	Lamp control gear Part 2-13: particular requirement for d.c. or a.c. supplied electronic control gear for LED modules
EMI Standards	Description
IEC 55015	Conducted emission test & radiated emission test
IEC 61000-3-2	Harmonic current emissions; Class C
IEC 61000-3-3	Voltage fluctuations & flicker
FCC Part 15	ANSI C63.4:2009 Class B
EMS Standards	Description
IEC 61000-4-2	Electrostatic discharge (ESD): 8 kV air discharge, 4 kV contact discharge
IEC 61000-4-3	Radio frequency electromagnetic field susceptibility test (RS)
IEC 61000-4-4	Electrical fast transient (EFT)
IEC 61000-4-5	Surge immunity test
IEC 61000-4-6	Conducted radio frequency disturbances test (CS)
IEC 61000-4-8	Power frequency magnetic field test
IEC 61000-4-11	Voltage dips
IEC 61547	Electromagnetic immunity requirements applies to lighting equipment

Dimming

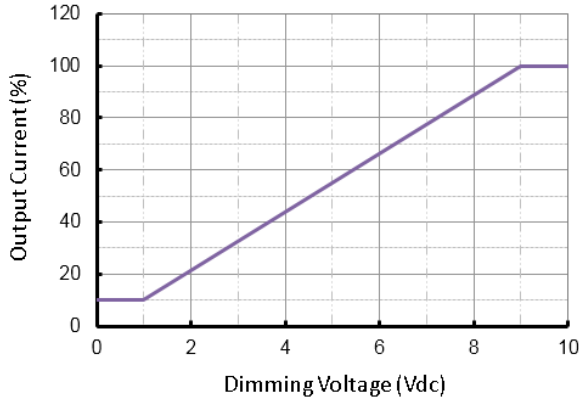
Parameter	Min.	Typ.	Max.
Vdim Sourcing Current	100uA	150uA	200uA
Vdim Allowed Input Voltage	-20 V		20 V
0-10V Dimming Range	10% (Vdim=1V)	Linear	100% (Vdim=9~10V)
PWM Dimming Range	10% (Duty=10%)	Linear	100% (Duty=90-100%)
Dim off threshold	0.4V or 4%	0.5V or 5%	0.6V or 6%
Dim on threshold	0.6V or 6%	0.7V or 7%	0.8V or 8%
PWM High	3.8V		10V
PWM Low	0V		0.6V
PWM Frequency	300Hz		2kHz
External PWM Controller Current Sinking Capability	300uA		
DALI Interface Standard	IEC62386, part 101,102,207		
DA1,DA2 High Level	9.5	16	22.5
DA1,DA2 Low Level	-6.5	0	6.5
DA1,DA2 Current	0		2mA

150W, Isolated Dimming, NFC Programmable LED Driver

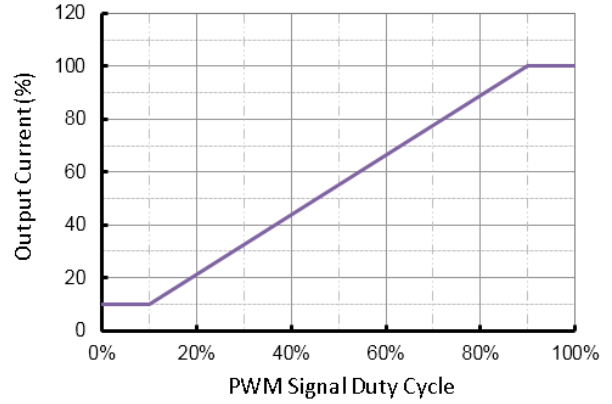
- Dimming Curve

a. Without dim-off

0-10V Dimming Curve

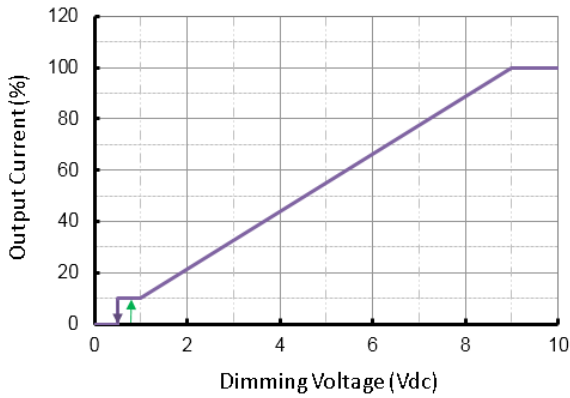


PWM Dimming Curve

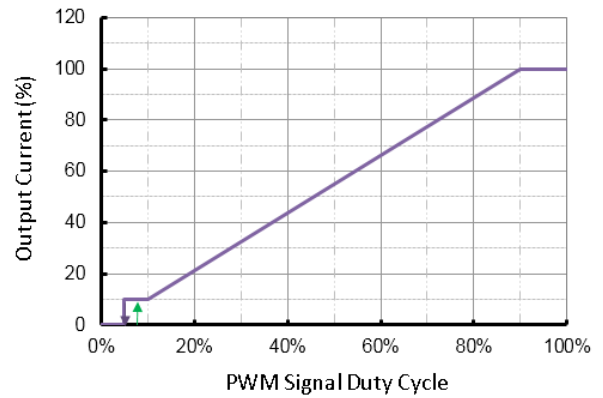


b. With dim-off

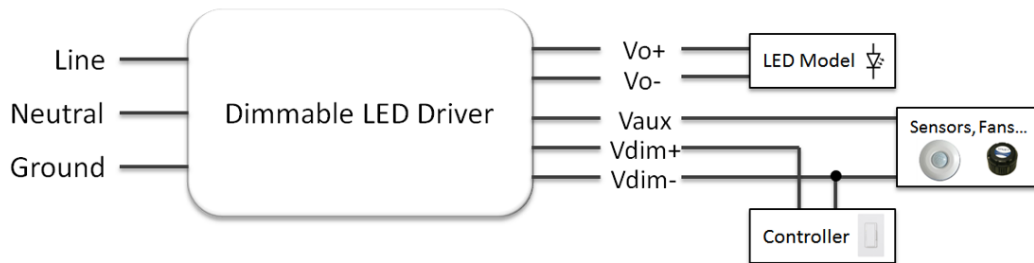
0-10V Dimming Curve



PWM Dimming Curve



- Dimming Wiring

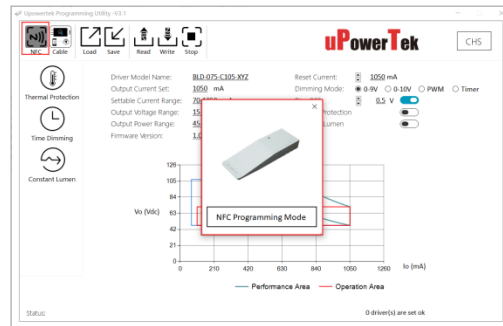
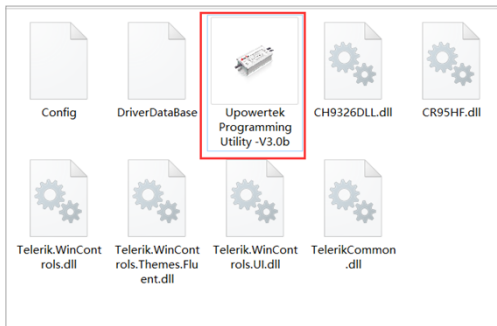


■ Programming

- NFC Programming by PC/Laptop

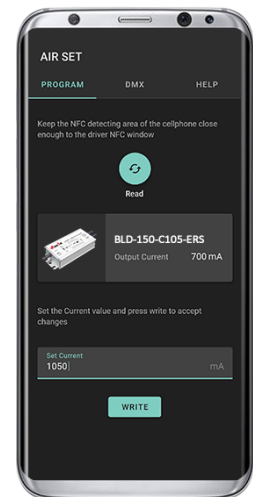
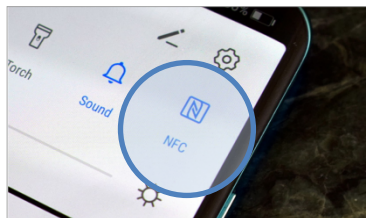


- Download PC Software at <https://www.upowertek.com/download-2/>
- Click Upowertek Programming Utility.exe
- The GUI start and notify you the programming mode (cable programming or NFC programming)
- Click "NFC" button if it's not NFC programming mode.



- NFC Programming by Smartphone

- Download Android APP at <https://www.upowertek.com/download-2/>
- Only available on Android cellphone (iPhone is not supported)
- The cellphone should have NFC function and make sure it is enabled.



- Turn on NFC switch of cellphone, then open the APP by icon below.



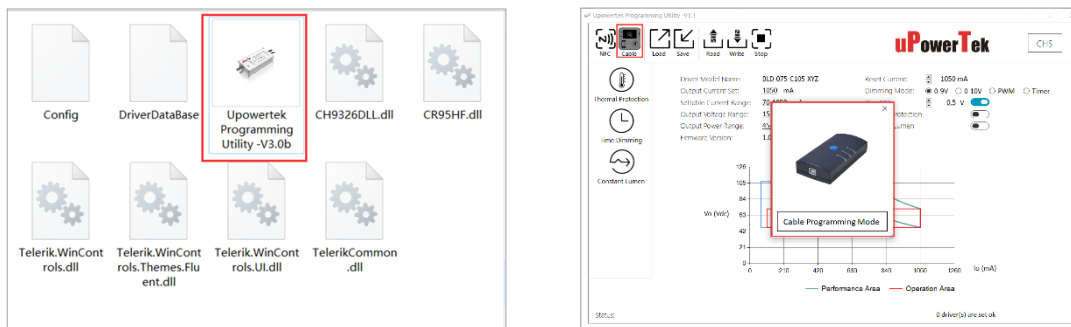
uPowerTek
Airset

150W, Isolated Dimming, NFC Programmable LED Driver

- Cable Programming



- Download PC Software at <https://www.upowertek.com/download-2/>
- Click Upowertek Programming Utility.exe
- The GUI start and notify you the programming mode (cable programming or NFC programming)

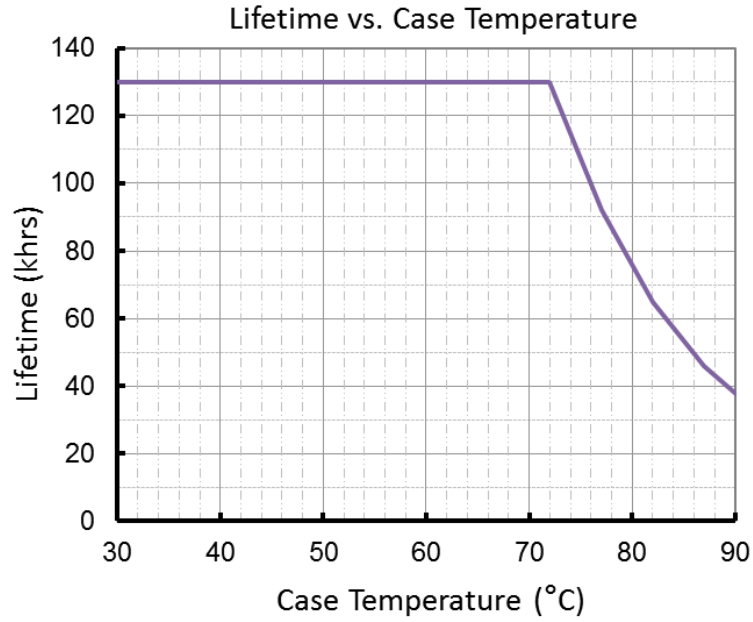


- Click "Cable" button if it's not cable programming mode.
- Connect the Vdim+ and Vdim- wires to the right ones (the same color) of the programmer.

- Please contact with us for product user manual and more information such as:

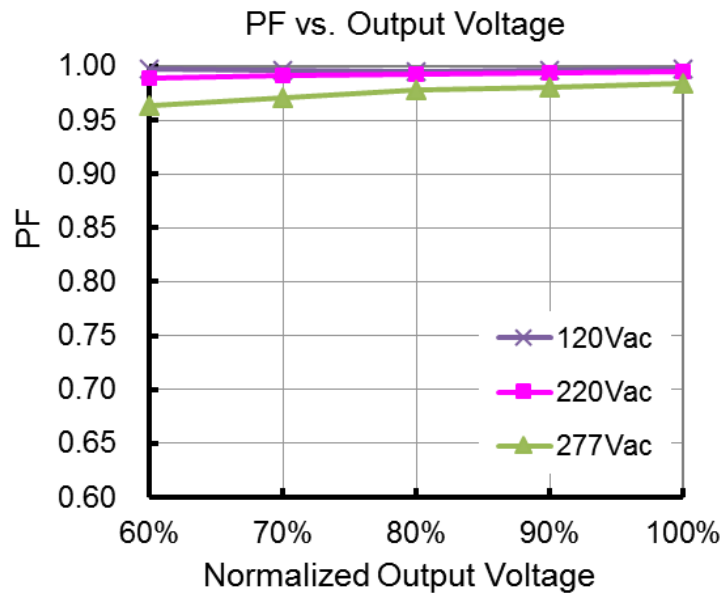
- Output Lumen Compensation
- Luminaire Thermal Protection by External NTC (with extra cable)
- Dimming Curve Customization (dim off threshold, minimum dimming level, maximum dimming voltage etc.)
- Adjustable Startup Time
- Time Dimming (adaptive mid-night, percentage, etc.)
- Customized Control Protocol

■ Lifetime vs. Case Temperature

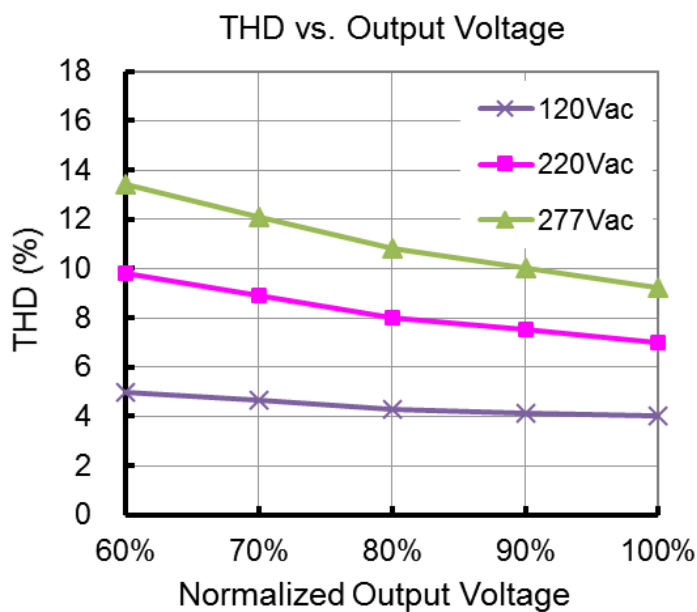


(End of Life: Maximum Failure Rate=10%)

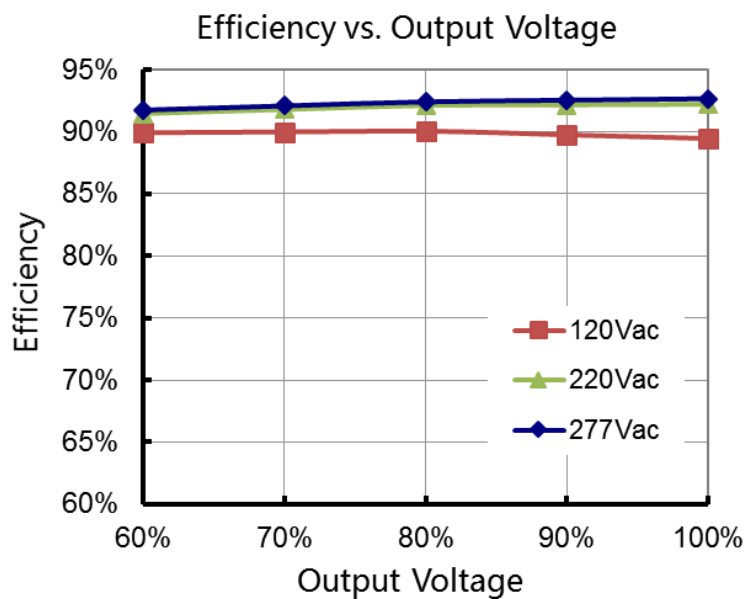
■ Power Factor vs. Load



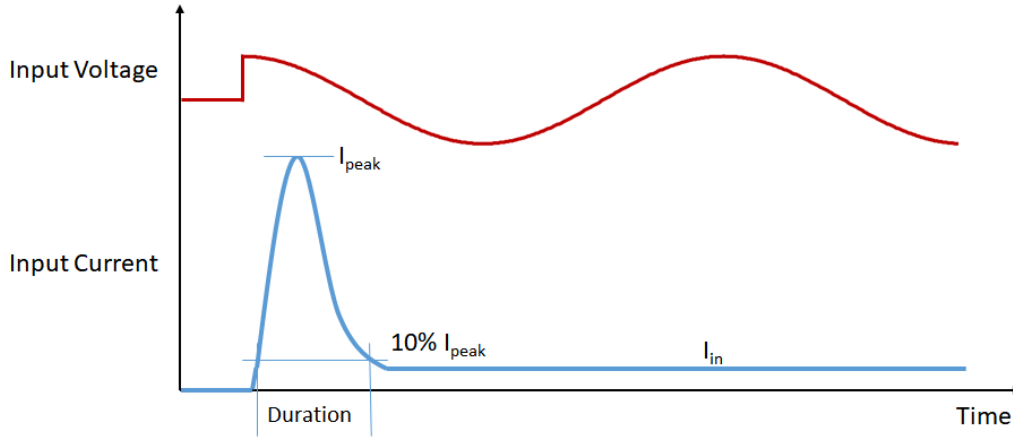
THD vs. Load



Efficiency vs. Load (1.05A Model)



■ Inrush Current



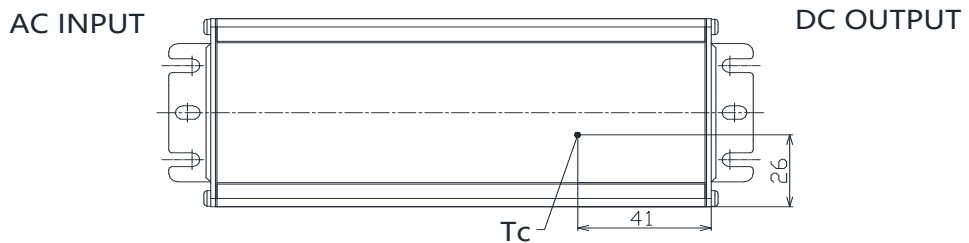
Input Voltage	I_{peak}	Duration
120Vac	37.2A	824us
220Vac	66.8A	824us
277Vac	90A	760us

Please contact with us for MCB calculation and waveforms.

■ Dielectric Strength

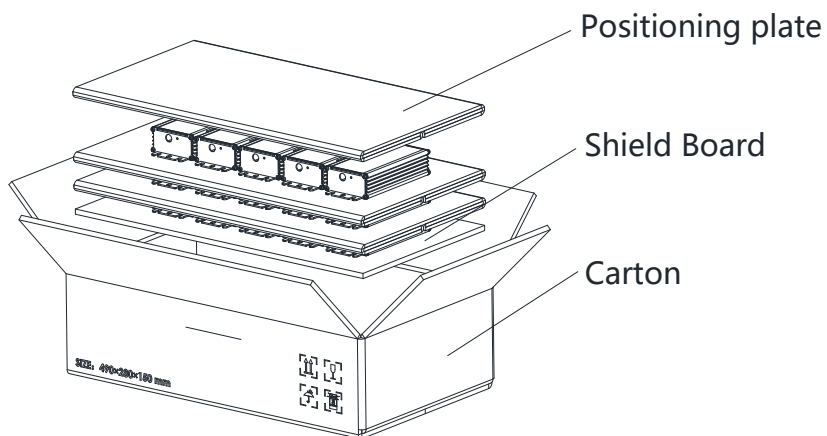
Unit: Vac	Input	Output	Dimming	Case
Input	-	3750	3750	1554
Output	3750	-	1554	1554
Dimming	3750	1554	-	1554
Case	1554	1554	1554	-

■ Tc Point



■ Packaging Information

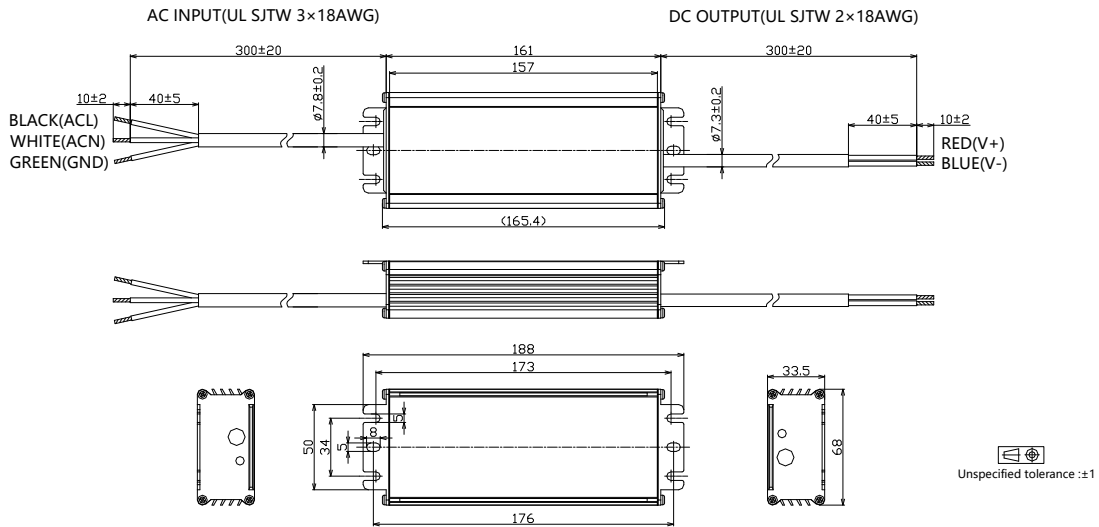
Typical Carton Dimension(L×W×H)	490×370×150 mm
Positioning plate	3pcs/carton
Shield Board	1pcs/carton
LED Drivers	15pcs/carton



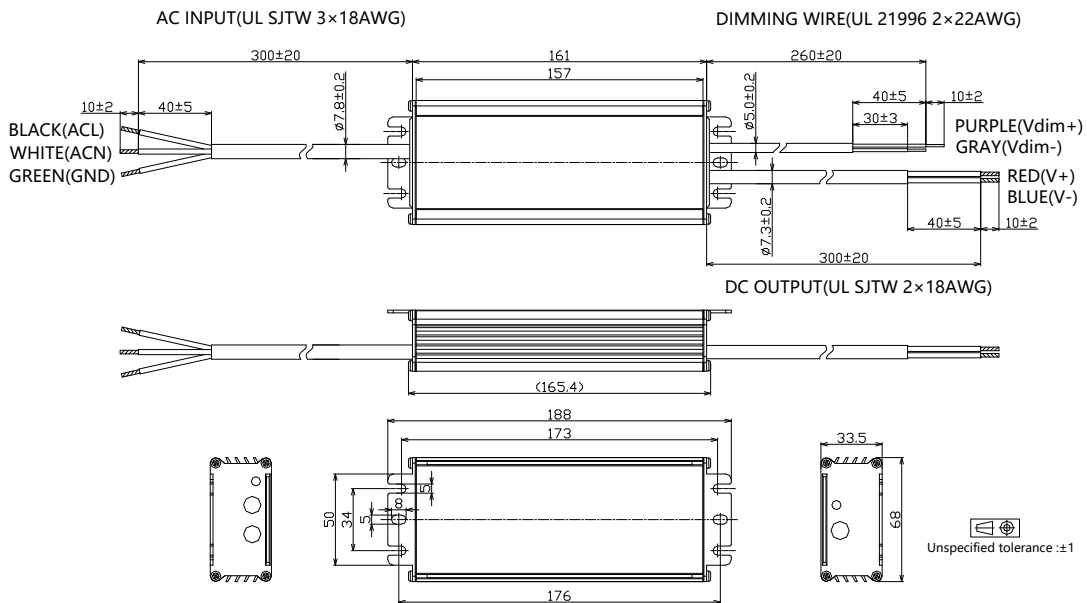
150W, Isolated Dimming, NFC Programmable LED Driver

Mechanical Design

BLD-150-Cxxx-NN/TRU (UL Cable)

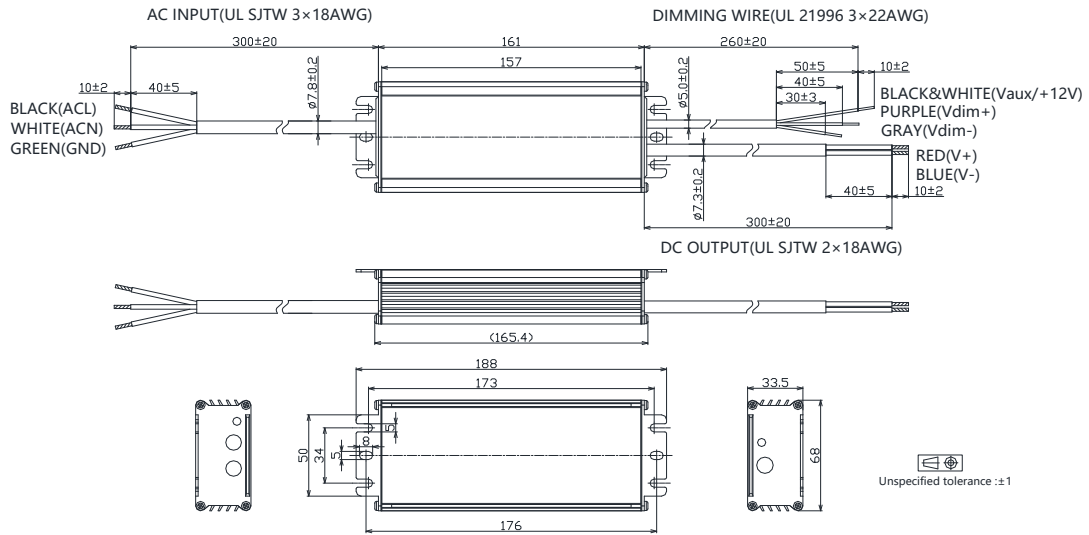


BLD-150-Cxxx-DN/DRU (UL Cable)

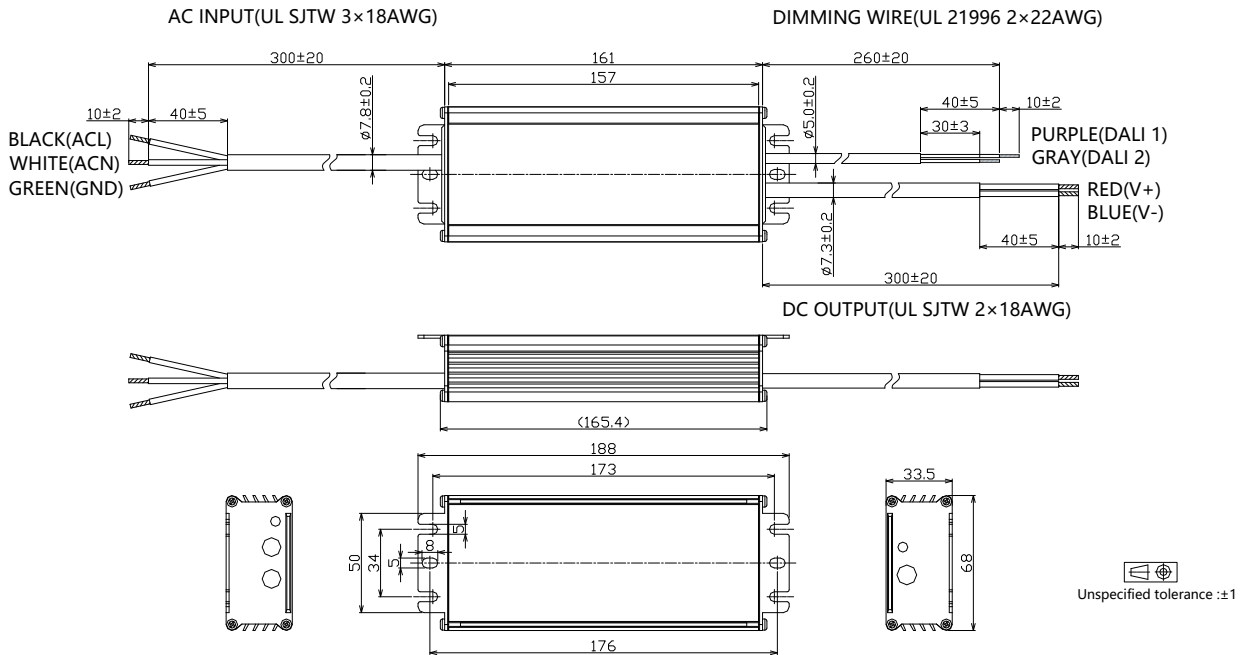


150W, Isolated Dimming, NFC Programmable LED Driver

- BLD-150-Cxxx-ERU (UL Cable)

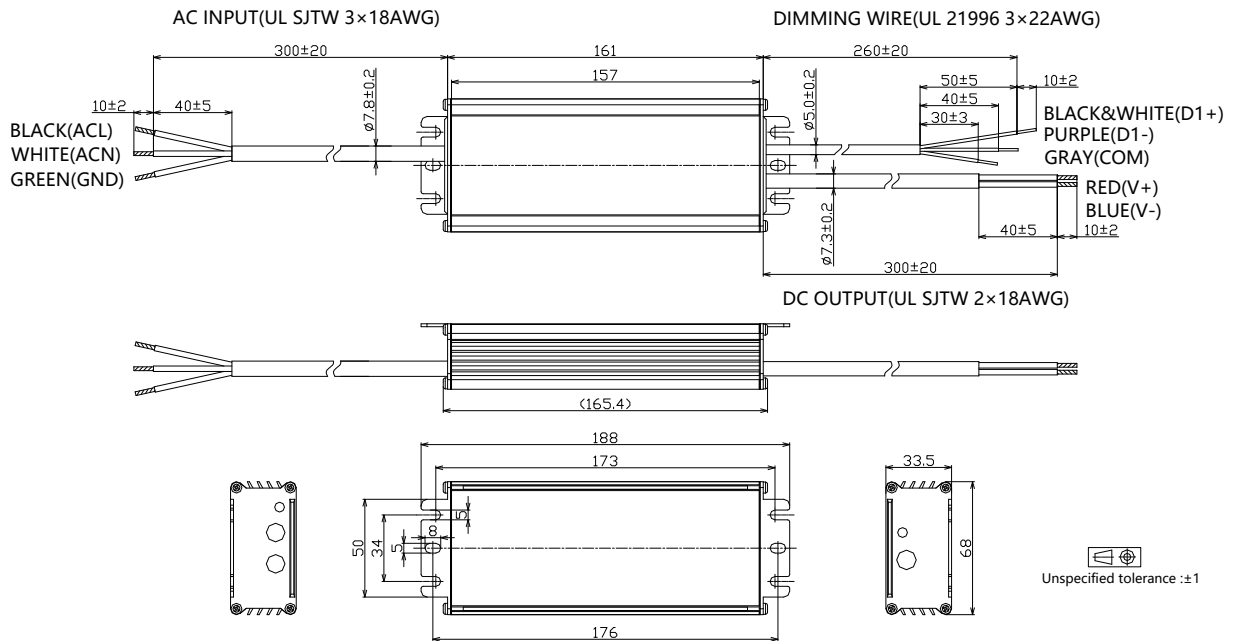


- BLD-150-Cxxx-ARU (UL Cable)

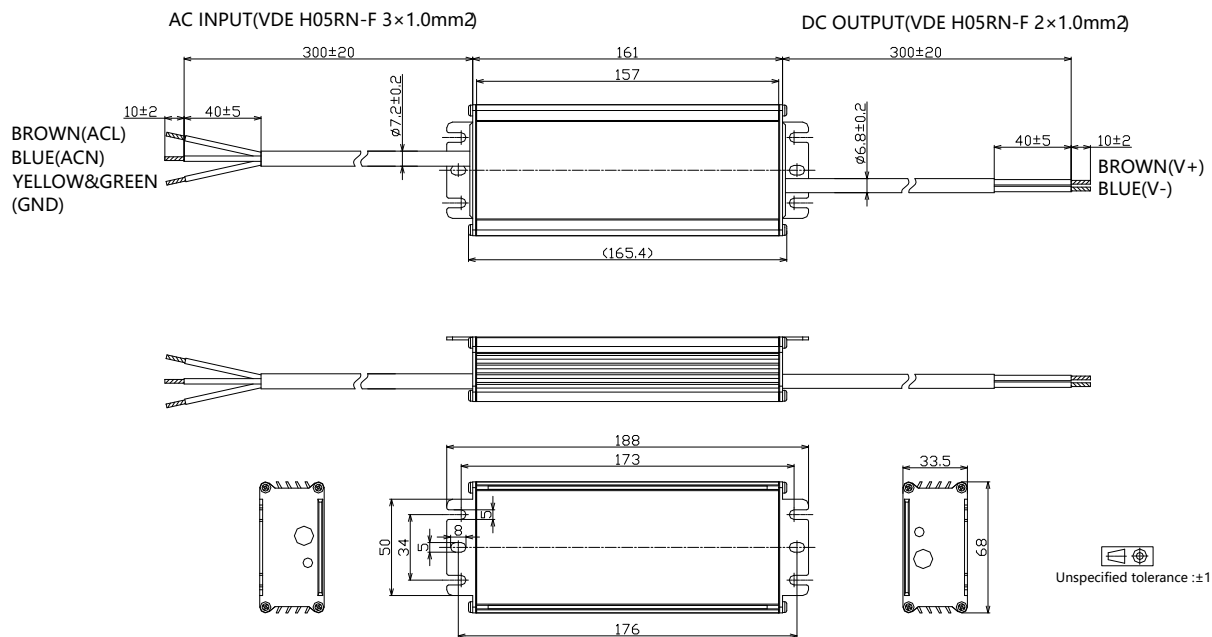


150W, Isolated Dimming, NFC Programmable LED Driver

- BLD-150-Cxxx-MRU (UL Cable)

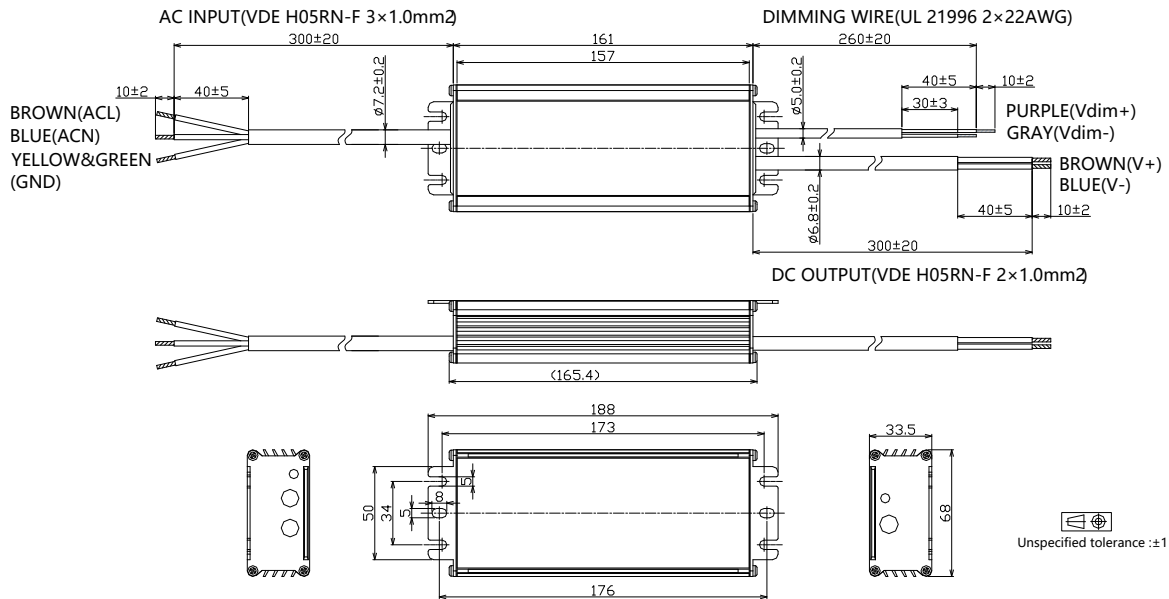


- BLD-150-Cxxx-NN/TRS (VDE Cable)

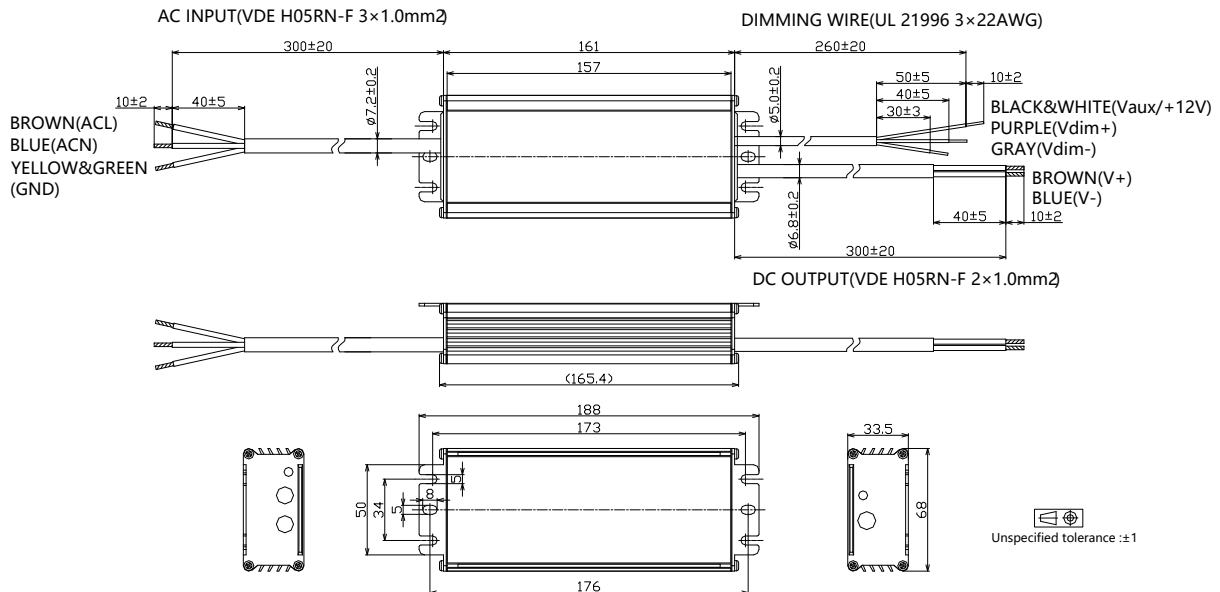


150W, Isolated Dimming, NFC Programmable LED Driver

- BLD-150-Cxxx-DN/DRS (VDE Cable)

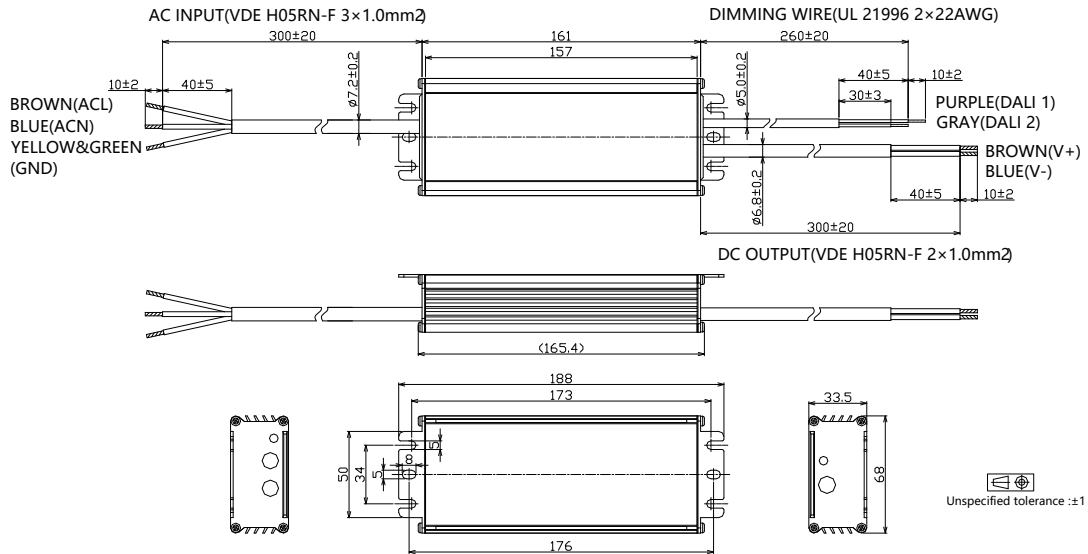


- BLD-150-Cxxx-ERS (VDE Cable)

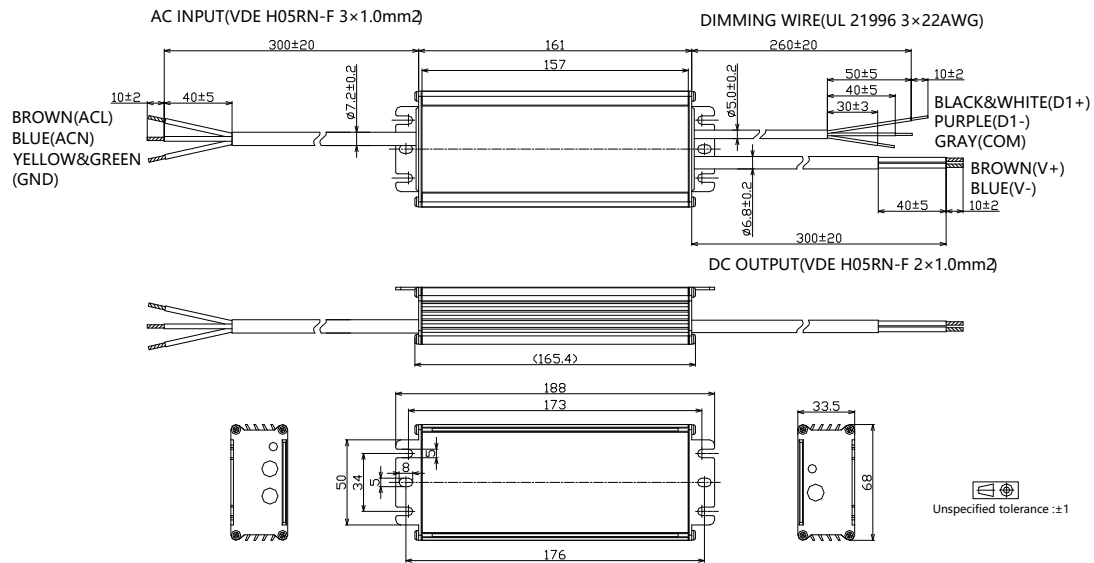


150W, Isolated Dimming, NFC Programmable LED Driver

- BLD-150-Cxxx-ARS (VDE Cable)



- BLD-150-Cxxx-MRS (VDE Cable)



150W, Isolated Dimming, NFC Programmable LED Driver

■ Output Operation Range

Model	Typical Set Output Current (mA)	Max Output Power (W)	Output Voltage Min (V)	Output Voltage Max(V)	Minimum Dimming Current (mA)
-C105	1050	150	86	143	105
	1000	150	90	150	100
	950	150	95	158	95
	900	150	100	167	90
	850	150	106	176	85
	800	150	113	188	80
	750	150	120	200	75
	700	150	129	214	70
	650	139	129	214	70
	600	129	129	214	70
	550	118	129	214	70
	500	107	129	214	70

	70	15	129	214	70

Model	Typical Set Output Current (mA)	Max Output Power (W)	Output Voltage Min (V)	Output Voltage Max(V)	Minimum Dimming Current (mA)
-C140	1400	150	64	107	140
	1300	150	69	115	130
	1200	150	75	125	120
	1100	150	82	136	110
	1050	150	86	143	105
	1000	143	86	143	105
	950	136	86	143	105
	900	129	86	143	105
	850	121	86	143	105
	800	114	86	143	105
	750	107	86	143	105
	700	100	86	143	105

	105	15	86	143	105

150W, Isolated Dimming, NFC Programmable LED Driver

Model	Typical Set Output Current (mA)	Max Output Power (W)	Output Voltage Min (V)	Output Voltage Max(V)	Minimum Dimming Current (mA)
-C210	2100	150	43	71	210
	2000	150	45	75	200
	1900	150	47	79	190
	1800	150	50	83	180
	1700	150	53	88	170
	1600	150	56	94	160
	1500	150	60	100	150
	1400	150	64	107	140
	1300	139	64	107	140
	1200	129	64	107	140
	1100	118	64	107	140
	1000	107	64	107	140

	140	15	64	107	140

Model	Typical Set Output Current (mA)	Max Output Power (W)	Output Voltage Min (V)	Output Voltage Max(V)	Minimum Dimming Current (mA)
-C380	3800	150	24	39	380
	3700	150	24	41	370
	3600	150	25	42	360
	3500	150	26	43	350
	3400	150	26	44	340
	3300	150	27	45	330
	3200	150	28	47	320
	3100	150	29	48	310
	3000	150	30	50	300
	2900	150	31	52	290
	2800	150	32	54	280
	2700	150	33	56	270
	2600	150	35	58	260
	2500	144	35	58	260
	2400	138	35	58	260

	260	15	35	58	260

150W, Isolated Dimming, NFC Programmable LED Driver

Model	Typical Set Output Current (mA)	Max Output Power (W)	Output Voltage Min (V)	Output Voltage Max(V)	Minimum Dimming Current (mA)
-C630	6300	150	14	24	630
	6100	150	15	25	610
	5900	150	15	25	590
	5700	150	16	26	570
	5500	150	16	27	550
	5300	150	17	28	530
	5100	150	18	29	510
	4900	150	18	31	490
	4700	150	19	32	470
	4500	150	20	33	450
	4400	150	20	34	440
	4300	150	21	35	430
	4200	150	21	36	420
	4100	150	22	37	410
	4000	150	23	38	400
	3800	143	23	38	400

	400	15	23	38	400

■ Revision History

Revision	Date	Contents
D	2022-03-22	<ol style="list-style-type: none"> 1. Index page added 2. Reduced dimming interface sourcing current 3. DALI 2.0 compatibility added 4. Programming instruction added 5. Inrush current data added 6. Tc point position indication added 7. Dielectric strength level added 8. Packaging information added 9. Mechanical design change with dimming cable color 10. Revision history added